



Model 7011 LapTop Arm Installation Instructions

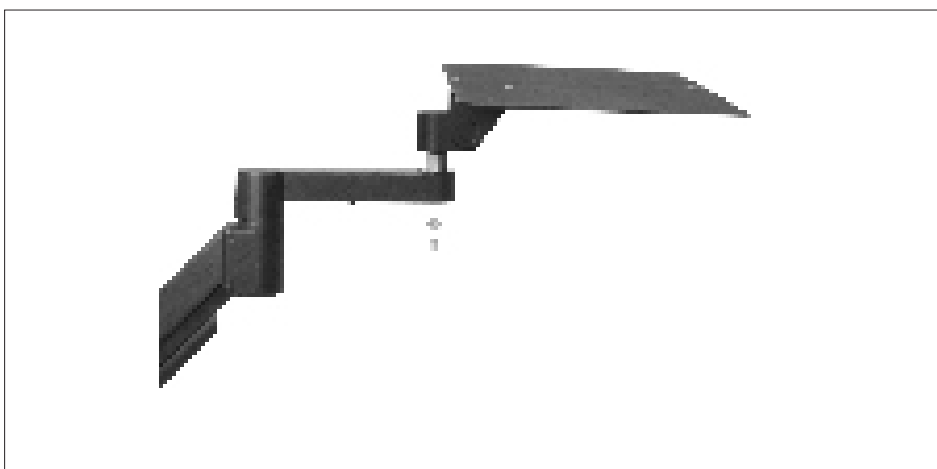
www.LCDmonitorarms.com.au

Step 1 - Select a *FLEXmount™* configuration from pages 4 - 6 in the Radial Arm instruction book.

Step 2 - Align the tilt mechanism with the hole pattern of the platform.
Attach using (4) #10-32 x 3/8 Flat head philips pan screws.



Step 3 - Insert the shaft of the tilt mechanism into the forearm of the arm.
Fasten the 10-32" Philips Pan Head screw and washer into the hole in the bottom of the tilt mechanism to secure the platform onto the arm.



Continue on page 9 of the RadialArm Instruction book for Cable Management and Arm Adjustments.