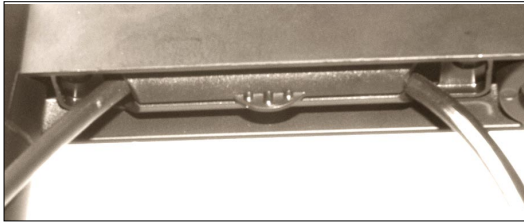


Step 6 *Cable Management*

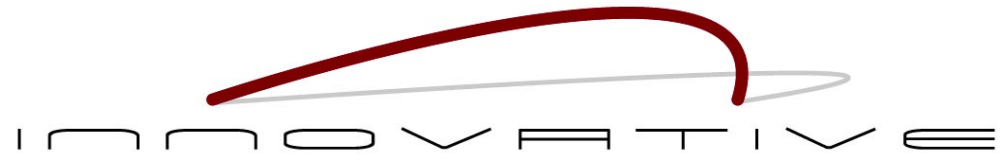


Loop cable from monitor under forearm. Pull handle down and tuck cables between the plastic cable management.

Use the cable clip to keep cables organized and in tact around the pole.



Your assembly and modifications are complete. If you need additional assistance regarding this product or if you need to return this arm for any reason, please contact our customer service department at 800.524.2744 to obtain a Return Authorization Number (R/A).



Ergonomic mounting solutions for monitors and keyboards.

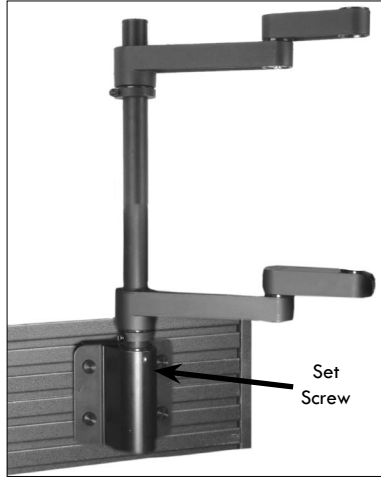
Model 9130 Single or Double LCD Pole Arm



Installation Instructions

Step 1 Arm Assembly

Be sure the mount is securely fastened to the surface before beginning.



Insert the pole of the arm assembly into the mount. (Mounts will vary).

Use the 3/32" allen wrench, to tighten the set screw on the mount. (Tighten enough so the pole does not spin or slip through the mount).

Step 1A Arm Height Adjustment



To adjust the position of the extension(s), loosen the set screw on the back of the extension(s) then loosen the thumbscrew attached to the collar under the arm.

The extension(s) and collar(s) will easily slide up and down the pole. Tighten the thumbscrew on the collar and the set screw on the back of the extension(s) to lock into place at the desired height.

Step 2 Attach Tilter/VESA bracket to the monitor



Carefully remove the base from the flat panel monitor. (See your monitor's User's Guide for instructions on how to do this.)

Attach the adapter plate (75MM or 100MM) to the tilter mechanism, using four (4) #10-32 x 3/8" Flat Head Philips screws.

Step 3 Apple Bracket Assembly Continued



Align the tilter and VESA bracket with the hole pattern on the back of the flat panel monitor.

Use the four (4) M4-12 Philips Pan Head screws to attach the plate to the back of the LCD monitor.

Step 4 Monitor to Arm Assembly



After securing the plate to the flat panel insert the tilter into the arm.

Use the 10-32" Philips Pan Head screw and washer and fasten them to the hole in the underside of the tilter shaft, locking the monitor in place.

Step 5 Tilt Mechanism Adjustments



Tilt the monitor so it faces upward and locate the set screw under the tilter. Insert the 7/32" Allen wrench into set screw to adjust the tilt friction.

* To tighten friction turn the wrench to the right.

* To loosen, turn the wrench to the left.