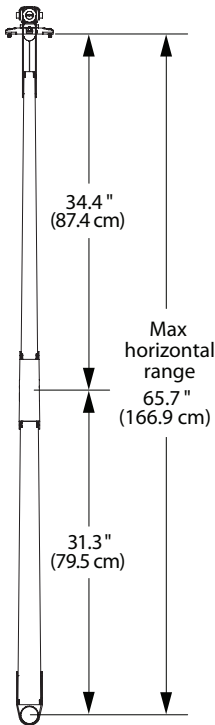
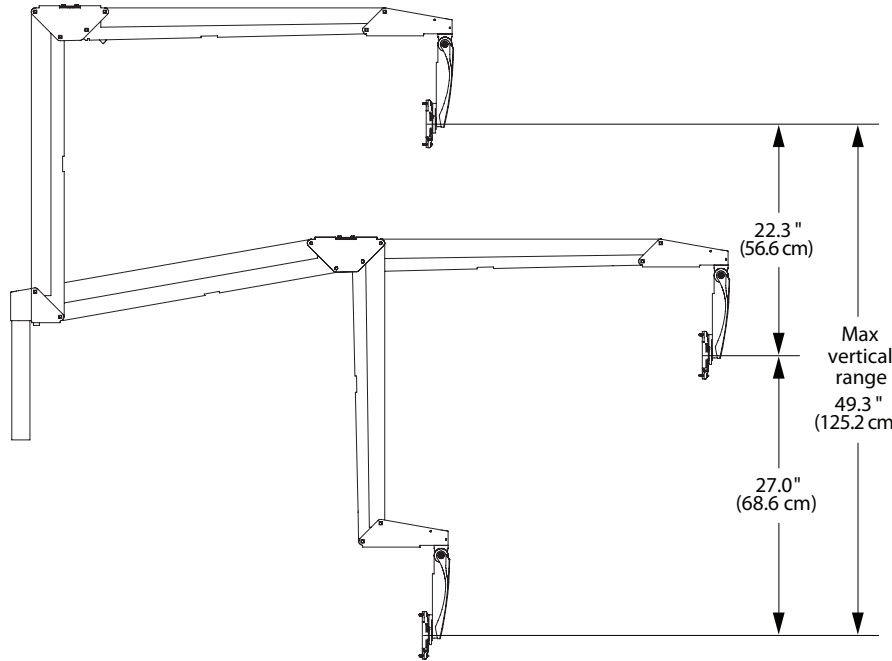


# Model 9400

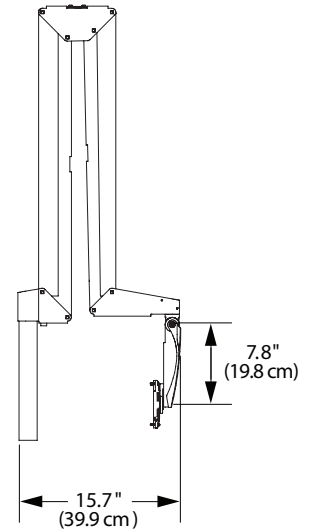
## Specifications



**TOP VIEW**  
Horizontal Range



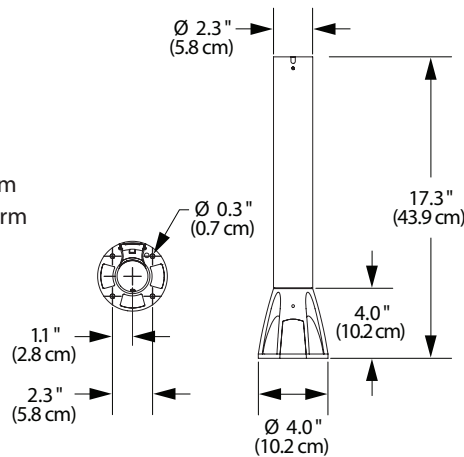
**SIDE VIEW**  
Vertical Range



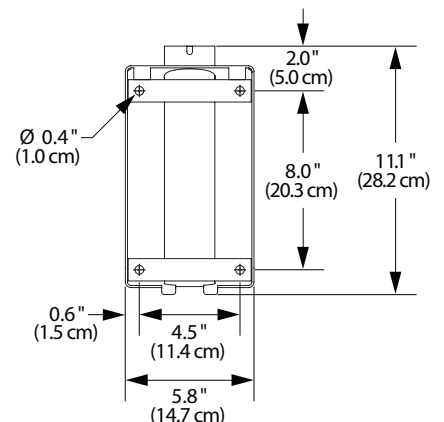
**SIDE VIEW**  
Arm Folded

### CAPABILITIES

- Vertical range .....49.3" (125.2 cm)
- Horizontal range .....65.7" (166.9 cm)
- Monitor tilt.....upto 60 degrees
- Monitor rotation.....340 degrees
- Monitor compatibility.....VESA 75mm and 100mm
- Cable management .....Cables are concealed in arm
- Monitor weight.....4- 18 lbs (1.8 - 8.2 kg)



**Model 8384**  
Countertop Mount



**Model 8385**  
Wall Mount



Tel: 1300 79 80 50 | Fax: 1300 79 80 52 | Web: [www.LCDMonitorArms.com.au](http://www.LCDMonitorArms.com.au)

Distributed by Uplifting Solutions Pty Ltd | [LCDmonitorarms.com.au](http://LCDmonitorarms.com.au) is a division of Uplifting Solutions Pty Ltd | ABN 23 063 940 027